

# TRADITIONAL DROP HANGER

Standard Kits

FLAT TRACK



- Polymer Wheels for quiet operation
- 200 lbs per Door
- 6' and 8' Options
- For Interior 1-3/8" or 1 3/4" Thick Doors
- All Fasteners Included
- Quality Boxed Packaging

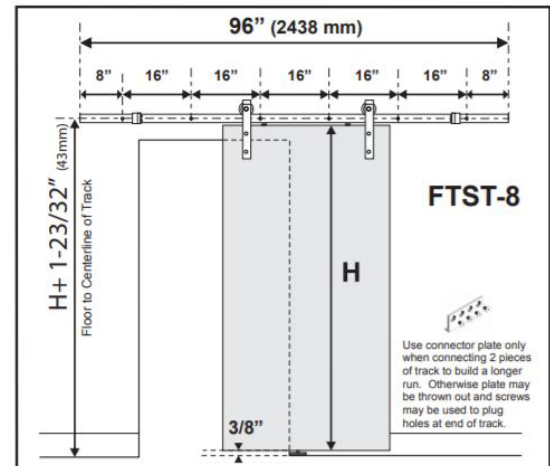
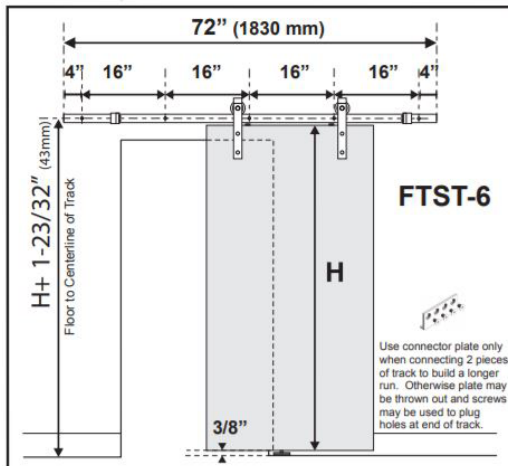
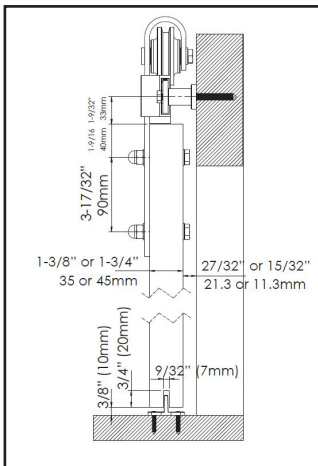


PART NO.	FINISH	DESCRIPTION
FTST-HANGER-BL	Black	Standard Traditional Drop Hanger Only
FTST-HANGER-OB	Oil-Rubbed Bronze	
FTST-HANGER-SS	Stainless Steel	
FTST-HANGER-SN	Satin Nickel	
FTST-HANGER-VB	Vintage Bronze	

PART NO.	DESCRIPTION
FTST-BL-6	6' Black Flat Track Kit
FTST-BL-8	8' Black Flat Track Kit
FTST-OB-6	6' Oil-Rubbed Bronze Flat Track Kit
FTST-OB-8	8' Oil-Rubbed Bronze Flat Track Kit
FTST-SS-6	6' Satin Stainless Flat Track Kit
FTST-SS-8	8' Satin Stainless Flat Track Kit
FTST-SN-6	6' Satin Nickel Flat Track Kit
FTST-SN-8	8' Satin Nickel Flat Track Kit
FTST-VB-6	6' Vintage Bronze Flat Track Kit
FTST-VB-8	8' Vintage Bronze Flat Track Kit

**KITS CONTAIN:**  
Track (40mm H x 6mm W), Traditional Hangers, Spacers, End Stops, Floor Guides, Anti-Jump Blocks, Track Connector, and All Necessary Fasteners

## SPECIFICATIONS



# TRADITIONAL DROP HANGER

Standard Kits

FLAT TRACK

- Polymer Wheels for quiet operation
- 200 lbs per Door
- 10' - Consists of two 5' pieces of track with a connector plate
- For Interior 1-3/8" or 1 3/4" Thick Doors
- All Fasteners Included
- Quality Boxed Packaging
- Soft Close and Open option available for single and double door applications



PART NO.	DESCRIPTION	
FTST-BL-10C	10' Black Flat Track Kit	<b>KITS CONTAIN:</b> Two 5' Tracks (40mm H x 6mm W), Traditional Hangers, Spacers, End Stops, Floor Guides, Anti-Jump Blocks, Track Connector, and all Necessary Fasteners
FTST-SS-10C	10' Satin Stainless Flat Track Kit	
FTST-SN-10C	10' Satin Nickel Flat Track Kit	

## SPECIFICATIONS

